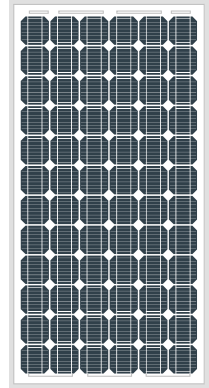


# PERLIGHTSOLAR

## PLM-200M-72 SERIES

### Monocrystalline Silicon Solar Modules

High-efficiency photovoltaic module using silicon nitride coated monocrystalline silicon cells.



### Specification:

- Solar cell: High efficiency crystalline solar cell. Even if under the weak light, the solar module can produce maximum power output
- Tempered glass: Anti-reflecting coating and high transmission rate glass increase the power output and mechanical strength of solar module.
- EVA and TPT: Using high quality EVA and TPT to prevent destroying and water.
- All frame: Without screw, corner connection. 8 holes on the frame can be installed easily.
- Junction box: Multi function junction box with water proof.
- Long lifetime: 25 years; Less power decrease.
- Good performance of preventing from atrocious weather such as wind and hails.
- Resisting moisture and etching effectively, not effect by geology.
- The certificate issued by international authority: ISO Quality Management system, CE, TUV, VDE, UL (IEC 61215 and IEC61730)

### Mechanical Characteristics

Cells Size(mm)	125×125
Modules Size(mm)	1580×808×40
No.of cells	72(6×12)
Weight(KG)	15.2
No.of Mounting Holes	8
No.of Waterspout	16

### Temperature Coefficient

Noct	45°C±2°C
Temperature coefficient of Isc	0.06%/°C
Temperature coefficient of Voc	-0.34%/°C
Temperature coefficient of Pmax	-0.45%/°C
Power Tolerance	0/ + 3%
Working temperature	-40°C to 85°C

### Package Information

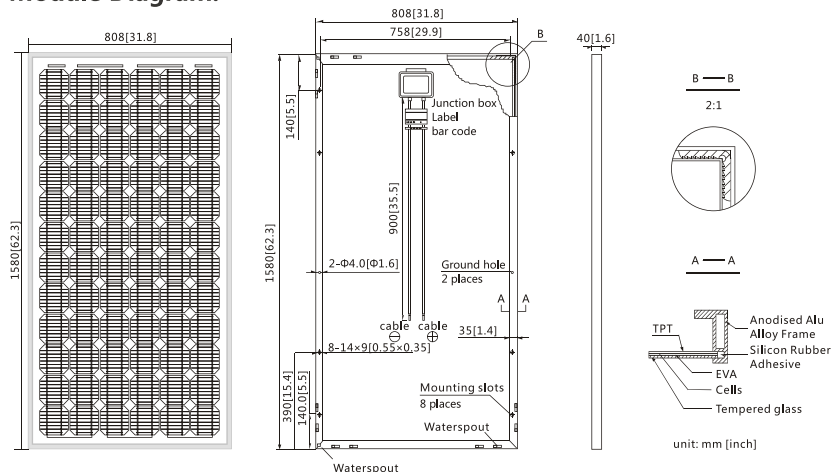
	Type	Frame	Pcs/Carton	Cartons/Container	Pcs/Pallet	Pallets/Container	Pcs/Container
40GP	1580×808 125M 72 cells	40	2	42	26	28	812

# PLM-200M-72 SERIES

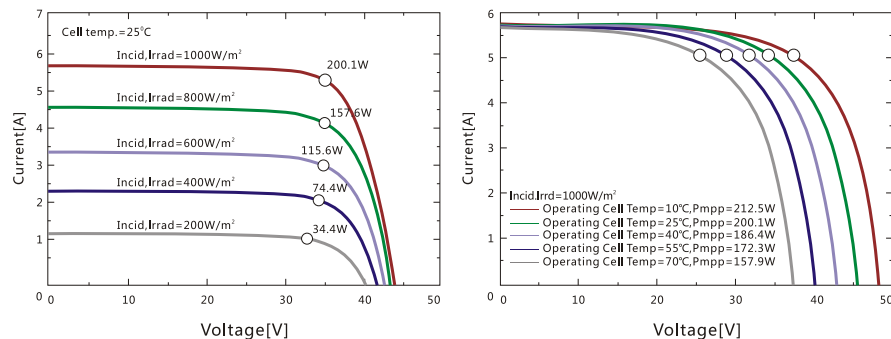
Monocrystalline Silicon Solar Modules



## Module Diagram:



## Electrical Curves:



## Electrical Characteristics: Power range:160w-220w

Module	PLM-180M-72	PLM-185M-72	PLM-190M-72	PLM-195M-72	PLM-200M-72	PLM-205M-72	PLM-210M-72	PLM-215M-72
Pm	180	185	190	195	200	205	210	215
Vmp	36.08	36.21	36.83	37.43	37.89	38.19	38.47	38.68
Imp	4.99	5.11	5.16	5.21	5.28	5.37	5.46	5.56
Voc	44.64	44.89	45.02	45.26	45.48	45.65	45.80	45.90
Isc	5.47	5.54	5.56	5.62	5.66	5.73	5.81	5.91
Maxium system voltage	1000VDC	1000VDC	1000VDC	1000VDC	1000VDC	1000VDC	1000VDC	1000VDC

STC:Irradiance 1000W/m<sup>2</sup>, Temperature 25°C,AM=1.5

### MANUFACTURING BASE

Oufeng Rd. Muyu, Zeguo Town, Wenling, Zhejiang, 317521, China  
 Tel: +86-576-8647 7290 Fax: +86-576-8647 9190  
 E-mail: enquiry@perlight.com

### GLOBAL MARKETING CENTER

E# 14th Floor, No.58 Xinjinqiao Rd. PuDong District, Shanghai, 200129, China  
 Tel: +86-21-6105 2372 Fax: +86-21-6105 2187  
 E-mail: enquiry@perlight.com

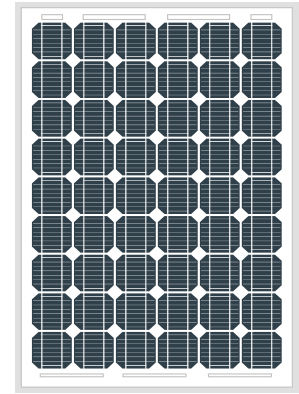


# PERLIGHTSOLAR

## PLM-220M-54 SERIES

### Monocrystalline Silicon Solar Modules

High-efficiency photovoltaic module using silicon nitride coated monocrystalline silicon cells.



### Specification:

- Solar cell: High efficiency crystalline solar cell. Even if under the weak light, the solar module can produce maximum power output
- Tempered glass: Anti-reflecting coating and high transmission rate glass increase the power output and mechanical strength of solar module.
- EVA and TPT: Using high quality EVA and TPT to prevent destroying and water.
- All frame: Without screw, corner connection. 8 holes on the frame can be installed easily.
- Junction box: Multi function junction box with water proof.
- Long lifetime: 25 years; Less power decrease.
- Good performance of preventing from atrocious weather such as wind and hails.
- Resisting moisture and etching effectively, not effect by geology.
- The certificate issued by international authority: ISO Quality Management system, CE, TUV, VDE, UL (IEC 61215 and IEC61730)

### Mechanical Characteristics

Cells Size(mm)	156×156
Modules Size(mm)	1495×992×40
No.of cells	54(6×9)
Weight(KG)	17
No.of Mounting Holes	8
No.of Waterspout	16

### Temperature Coefficient

Noct	45°C±2°C
Temperature coefficient of Isc	0.06%/°C
Temperature coefficient of Voc	-0.34%/°C
Temperature coefficient of Pmax	-0.45%/°C
Power Tolerance	0/ + 3%
Working temperature	-40°C to 85°C

### Package Information

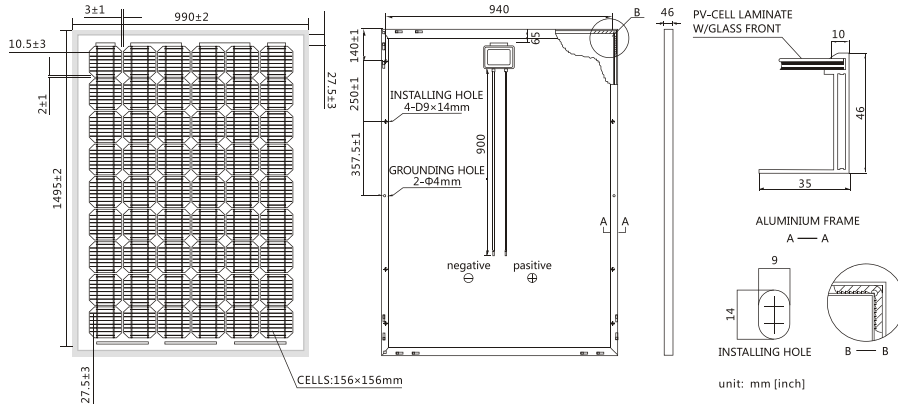
Type	Frame	Pcs/Carton	Cartons/Container	Pcs/Pallet	Pallets/Container	Pcs/Container
40HQ 1495×992 156M 54cells	40	2	53	26	28	834

# PLM-220M-54 SERIES

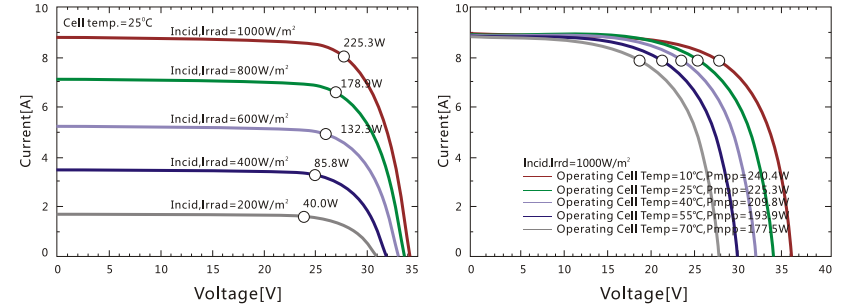
Monocrystalline Silicon Solar Modules



## Module Diagram:



## Electrical Curves:



## Electrical Characteristics: Power range: 185w-230w

Module	PLM-200M-54	PLM-205M-54	PLM-210M-54	PLM-215M-54	PLM-220M-54	PLM-225M-54	PLM-230M-54
P <sub>m</sub>	200	205	210	215	220	225	230
V <sub>mp</sub>	25.65	25.95	26.26	26.71	27.17	27.45	27.85
I <sub>mp</sub>	7.80	7.90	8.00	8.05	8.10	8.20	8.26
V <sub>oc</sub>	33.67	33.82	33.89	33.99	34.05	34.20	34.30
I <sub>sc</sub>	8.38	8.47	8.56	8.62	8.68	8.77	8.85
Maximum system voltage	1000VDC	1000VDC	1000VDC	1000VDC	1000VDC	1000VDC	1000VDC

STC: Irradiance 1000W/m<sup>2</sup>, Temperature 25°C, AM=1.5

### MANUFACTURING BASE

Oufeng Rd. Muyu, Zeguo Town, Wenling, Zhejiang, 317521, China  
 Tel: +86-576-8647 7290 Fax: +86-576-8647 9190  
 E-mail: enquiry@perligh.com

### GLOBAL MARKETING CENTER

E# 14th Floor, No. 58 Xinjinqiao Rd. Pudong District, Shanghai, 200129, China  
 Tel: +86-21-6105 2372 Fax: +86-21-6105 2187  
 E-mail: enquiry@perligh.com

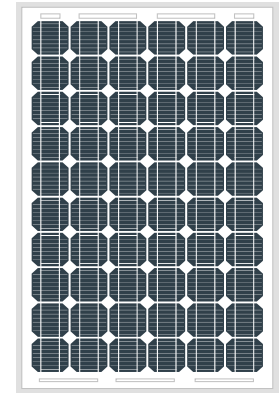


# PERLIGHTSOLAR

## PLM-250M-60 SERIES

### Monocrystalline Silicon Solar Modules

High-efficiency photovoltaic module using silicon nitride coated monocrystalline silicon cells.



### Specification:

- Solar cell: High efficiency crystalline solar cell. Even if under the weak light, the solar module can produce maximum power output
- Tempered glass: Anti-reflecting coating and high transmission rate glass increase the power output and mechanical strength of solar module.
- EVA and TPT: Using high quality EVA and TPT to prevent destroying and water.
- All frame: Without screw, corner connection. 8 holes on the frame can be installed easily.
- Junction box: Multi function junction box with water proof.
- Long lifetime: 25 years; Less power decrease.
- Good performance of preventing from atrocious weather such as wind and hails.
- Resisting moisture and etching effectively, not effect by geology.
- The certificate issued by international authority: ISO Quality Management system, CE, TUV, VDE, UL (IEC 61215 and IEC61730)

### Mechanical Characteristics

Cells Size(mm)	156×156
Modules Size(mm)	1650×992×46
No.of cells	60(6×10)
Weight(KG)	19.6
No.of Mounting Holes	8
No.of Waterspout	16

### Temperature Coefficient

Noct	45°C±2°C
Temperature coefficient of Isc	0.06%/°C
Temperature coefficient of Voc	-0.34%/°C
Temperature coefficient of Pmax	-0.45%/°C
Power Tolerance	0/ + 3%
Working temperature	-40°C to 85°C

### Package Information

Type	Frame	Pcs/Carton	Cartons/Container	Pcs/Pallet	Pallets/Container	Pcs/Container
40HQ 1650×992 156M 60cells	46	2	28	23	28	700

**Note:** This publication summarizes product warranty and specifications, which are subject without notice. Additional information can be found on our website

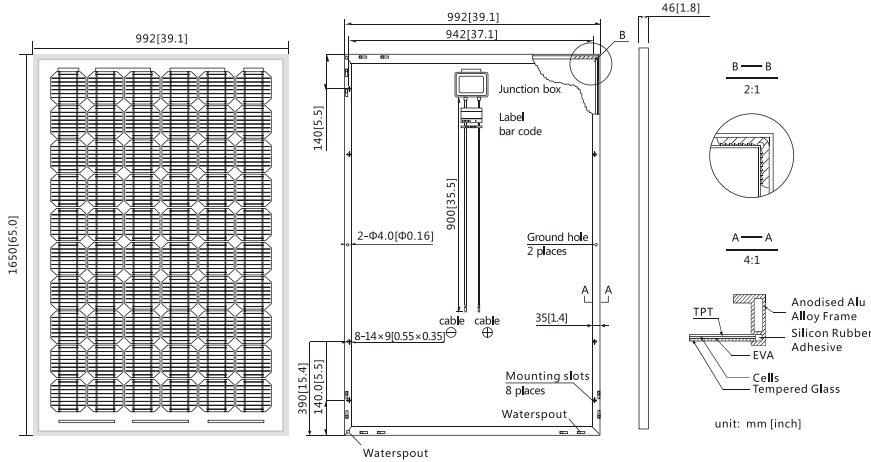
[www.perlight.com](http://www.perlight.com)

# PLM-250M-60 SERIES

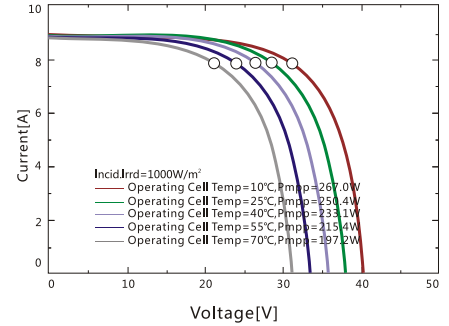
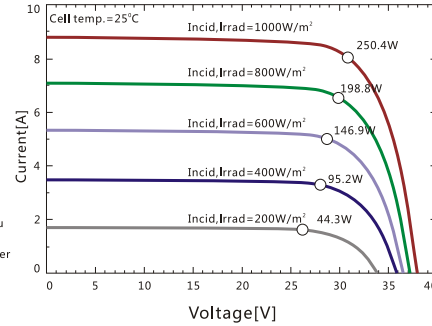
Monocrystalline Silicon Solar Modules



## Module Diagram:



## Electrical Curves:



## Electrical Characteristics: Power range:220w-270w

Module	PLM-230M-60	PLM-235M-60	PLM-240M-60	PLM-245M-60	PLM-250M-60	PLM-255M-60	PLM-260M-60	PLM-265M-60	PLM-270M-60
Pm	230	235	240	245	250	255	260	265	270
Vmp	28.94	29.38	29.86	30.21	30.50	30.92	31.18	31.48	31.73
Imp	7.95	8.00	8.04	8.11	8.20	8.25	8.34	8.42	8.51
Voc	37.64	37.70	37.77	37.86	38.00	38.10	38.20	38.31	38.42
Isc	8.52	8.59	8.64	8.70	8.78	8.84	8.92	8.96	8.99
Maximum system voltage	1000VDC	1000VDC	1000VDC	1000VDC	1000VDC	1000VDC	1000VDC	1000VDC	1000VDC

STC:Irradiance 1000W/m², Temperature 25°C,AM=1.5

### MANUFACTURING BASE

Oufeng Rd. Muyu, Zeguo Town, Wenling, Zhejiang, 317521, China  
 Tel: +86-576-8647 7290 Fax: +86-576-8647 9190  
 E-mail: enquiry@perlight.com

### GLOBAL MARKETING CENTER

E# 14th Floor, No.58 Xinjinqiao Rd. PuDong District, Shanghai, 200129, China  
 Tel: +86-21-6105 2372 Fax: +86-21-6105 2187  
 E-mail: enquiry@perlight.com

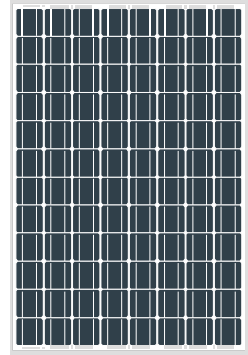


# PERLIGHTSOLAR

## PLM-270M-96 SERIES

### Monocrystalline Silicon Solar Modules

High-efficiency photovoltaic module using silicon nitride coated monocrystalline silicon cells.



### Specification:

- Solar cell: High efficiency crystalline solar cell. Even if under the weak light, the solar module can produce maximum power output
- Tempered glass: Anti-reflecting coating and high transmission rate glass increase the power output and mechanical strength of solar module.
- EVA and TPT: Using high quality EVA and TPT to prevent destroying and water.
- All frame: Without screw, corner connection. 8 holes on the frame can be installed easily.
- Junction box: Multi function junction box with water proof.
- Long lifetime: 25 years; Less power decrease.
- Good performance of preventing from atrocious weather such as wind and hails.
- Resisting moisture and etching effectively, not effect by geology.
- The certificate issued by international authority: ISO Quality Management system, CE, TUV, VDE, UL (IEC 61215 and IEC61730)

### Mechanical Characteristics

Cells Size(mm)	125×125
Modules Size(mm)	1580×1061×40
No.of cells	96(8×12)
Weight(KG)	19
No.of Mounting Holes	8
No.of Waterspout	16

### Temperature Coefficient

Noct	45°C±2°C
Temperature coefficient of Isc	0.06%/°C
Temperature coefficient of Voc	-0.34%/°C
Temperature coefficient of Pmax	-0.45%/°C
Power Tolerance	0/ + 3%
Working temperature	-40°C to 85°C

### Package Information

Type	Frame	Pcs/Carton	Cartons/Container	Pcs/Pallet	Pallets/Container	Pcs/Container
40HQ 1580×1061 125M 72cells	40	2	14	26	28	756

**Note:** This publication summarizes product warranty and specifications, which are subject without notice. Additional information can be found on our website

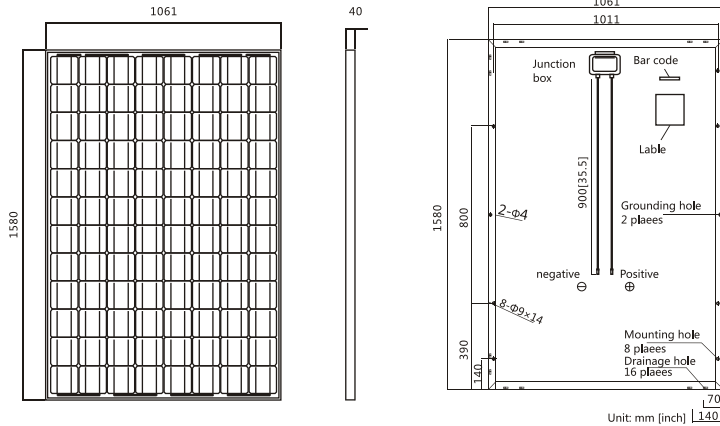
[www.perlight.com](http://www.perlight.com)

# PLM-270M-96 SERIES

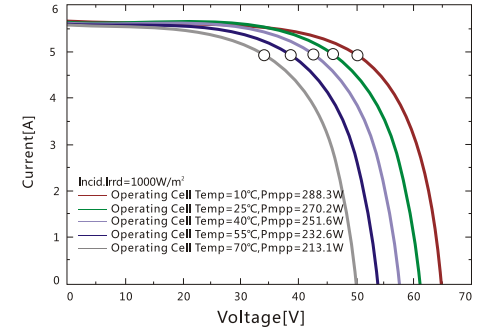
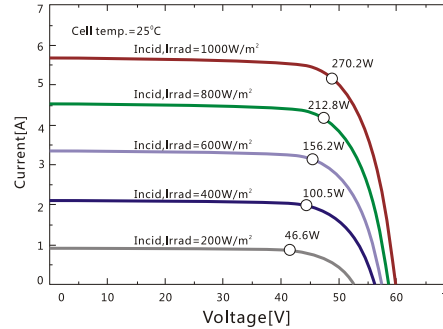
Monocrystalline Silicon Solar Modules



## Module Diagram:



## Electrical Curves:



## Electrical Characteristics: Power range:250w-280w

Module	PLM-250M-96	PLM-255M-96	PLM-260M-96	PLM-265M-96	PLM-270M-96	PLM-275M-96	PLM-280M-96
Pm	250	255	260	265	270	275	280
Vmp	48.74	49.34	49.91	50.29	50.76	51.03	51.29
Imp	5.13	5.18	5.21	5.27	5.32	5.39	5.46
Voc	59.78	60.19	60.35	60.58	60.75	60.87	61.06
Isc	5.53	5.56	5.62	5.66	5.68	5.76	5.81
Maxium system voltage	1000VDC	1000VDC	1000VDC	1000VDC	1000VDC	1000VDC	1000VDC

STC:Irradiance 1000W/m<sup>2</sup>, Temperature 25°C,AM=1.5

### MANUFACTURING BASE

Oufeng Rd. Muyu, Zeguo Town, Wenling, Zhejiang, 317521, China  
 Tel: +86-576-8647 7290 Fax: +86-576-8647 9190  
 E-mail: enquiry@perligh.com

### GLOBAL MARKETING CENTER

E# 14th Floor, No.58 Xinjinqiao Rd. PuDong District, Shanghai, 200129, China  
 Tel: +86-21-6105 2372 Fax: +86-21-6105 2187  
 E-mail: enquiry@perligh.com



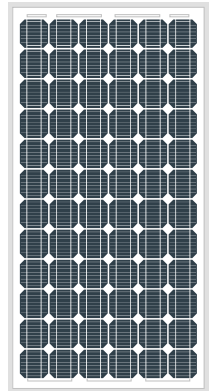


# PERLIGHTSOLAR

## PLM-300M-72 SERIES

### Monocrystalline Silicon Solar Modules

High-efficiency photovoltaic module using silicon nitride coated monocrystalline silicon cells.



### Specification:

- Solar cell: High efficiency crystalline solar cell. Even if under the weak light, the solar module can produce maximum power output
- Tempered glass: Anti-reflecting coating and high transmission rate glass increase the power output and mechanical strength of solar module.
- EVA and TPT: Using high quality EVA and TPT to prevent destroying and water.
- All frame: Without screw, corner connection. 8 holes on the frame can be installed easily.
- Junction box: Multi function junction box with water proof.
- Long lifetime: 25 years; Less power decrease.
- Good performance of preventing from atrocious weather such as wind and hails.
- Resisting moisture and etching effectively, not effect by geology.
- The certificate issued by international authority: ISO Quality Management system, CE, TUV, VDE, UL (IEC 61215 and IEC61730)

### Mechanical Characteristics

Cells Size(mm)	156×156
Modules Size(mm)	1966×992×50
No.of cells	72(6×12)
Weight(KG)	23.1
No.of Mounting Holes	8
No.of Waterspout	16

### Temperature Coefficient

Noct	45°C±2°C
Temperature coefficient of Isc	0.06%/°C
Temperature coefficient of Voc	-0.34%/°C
Temperature coefficient of Pmax	-0.45%/°C
Power Tolerance	0/ + 3%
Working temperature	-40°C to 85°C

### Package Information

Type	Frame	Pcs/Carton	Cartons/Container	Pcs/Pallet	Pallets/Container	Pcs/Container
40HQ 1966×992 156M 72cells	50	2	22	21	22	506

**Note:** This publication summarizes product warranty and specifications, which are subject without notice. Additional information can be found on our website

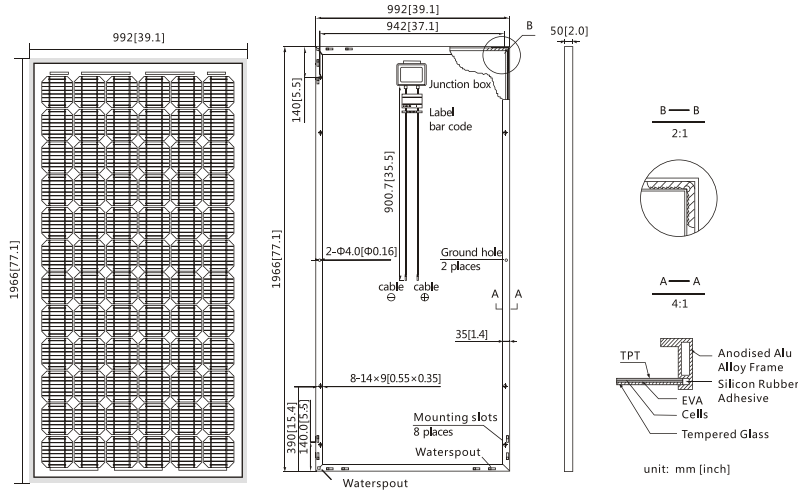
[www.perlight.com](http://www.perlight.com)

# PLM-300M-72 SERIES

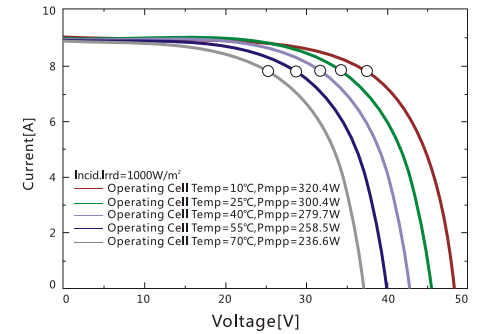
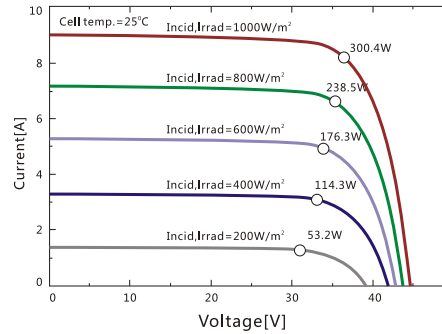
Monocrystalline Silicon Solar Modules



## Module Diagram:



## Electrical Curves:



## Electrical Characteristics: Power range:245w-320w

Module	PLM-275M-72	PLM-280M-72	PLM-285M-72	PLM-290M-72	PLM-295M-72	PLM-300M-72	PLM-305M-72	PLM-310M-72	PLM-315M-72	PLM-320M-72
Pm	275	280	285	290	295	300	305	310	315	320
Vmp	34.64	35.05	35.59	35.99	36.34	36.59	37.02	37.31	37.64	37.79
Imp	7.94	7.99	8.01	8.06	8.12	8.20	8.24	8.31	8.37	8.47
Voc	45.14	45.20	45.29	45.33	45.50	45.60	45.70	45.81	45.91	46.01
Isc	8.52	8.55	8.62	8.67	8.70	8.78	8.82	8.87	8.94	8.97
Maximum system voltage	1000VDC	1000VDC	1000VDC	1000VDC	1000VDC	1000VDC	1000VDC	1000VDC	1000VDC	1000VDC

STC:Irradiance 1000W/m², Temperature 25°C,AM=1.5

### MANUFACTURING BASE

Oufeng Rd. Muyu, Zeguo Town, Wenling, Zhejiang, 317521, China  
 Tel: +86-576-8647 7290 Fax: +86-576-8647 9190  
 E-mail: enquiry@perligh.com

### GLOBAL MARKETING CENTER

E# 14th Floor, No.58 Xinjingqiao Rd. PuDong District, Shanghai, 200129, China  
 Tel: +86-21-6105 2372 Fax: +86-21-6105 2187  
 E-mail: enquiry@perligh.com

